

SOLiCORE[®]

E M B E D D E D P O W E R S O L U T I O N S

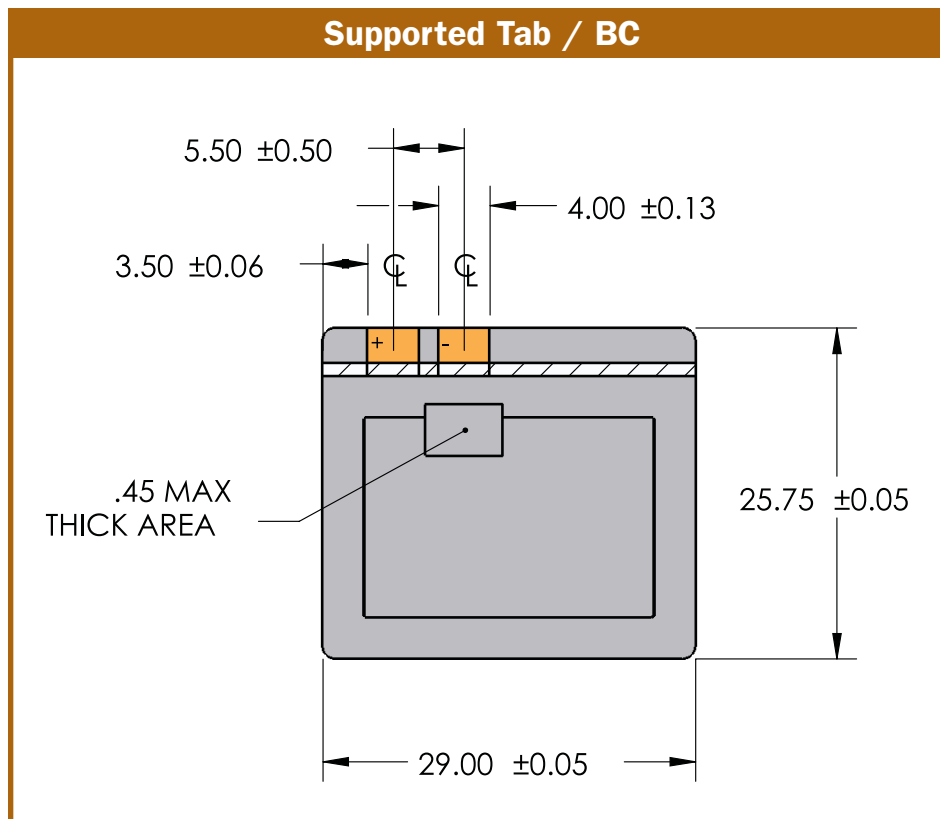
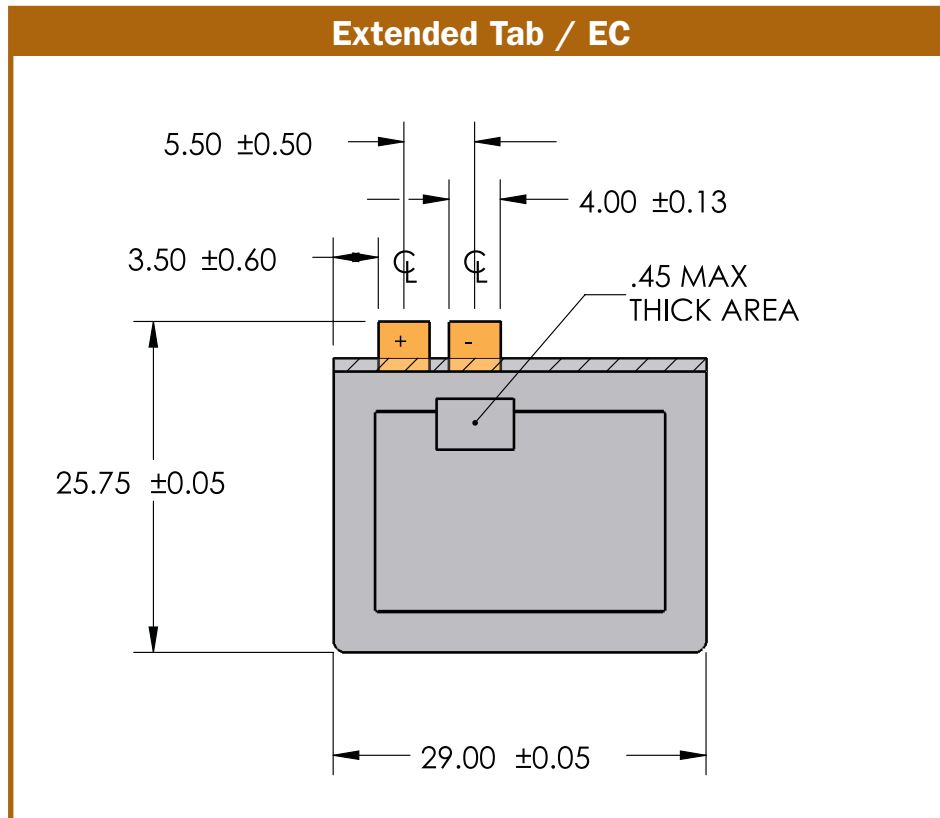


Flexion Battery

-  **High Temperature Lamination Tolerant**
-  **Ultra-Thin: 0.37mm - 0.45mm**
-  **Flexible: ISO 7810 Certified**
-  **High Pressure Lamination Tolerant**
-  **Safe: RoHS, UL, EPA Certified**
-  **Wide Operating Temperature Range**
-  **Power: 3.0 Volt System**

FLEXION[™]

thin. flexible. safe.

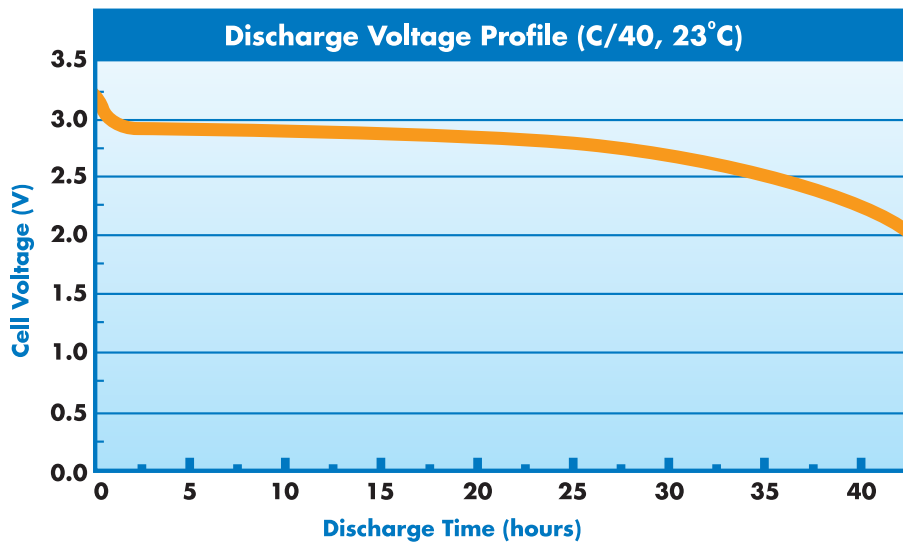


EC = Extended Tabs: Nickel Plated Copper

BC = Battery Terminal Support: Nickel Plated Copper

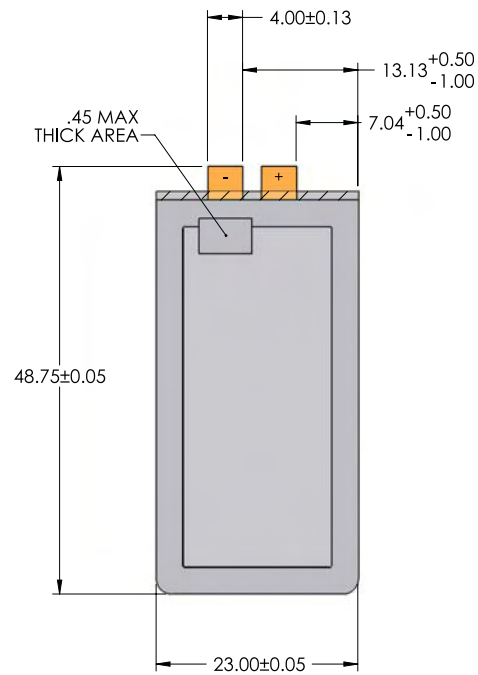
Technical Specifications and Performance	
System	Lithium Polymer
Cathode	Manganese Dioxide
Anode	Metallic Lithium
Nominal Voltage	3.0 volts
Nominal Capacity* (C/40 @ 23°C)	10 mAh - 14 mAh
Max. Cont. Discharge* (23°C)	C/2
Operating Temperatures*	-10°C to 60°C
Storage Temperatures*	-20°C to 40°C
Weight	0.3 grams
Maximum Thickness	0.45mm
Self-discharge*	<1% per month
Anode Tab/Cathode Tab	Nickel Plated Copper
Jacket	Flexible Aluminum Foil Packaging

*Battery performance varies with temperature

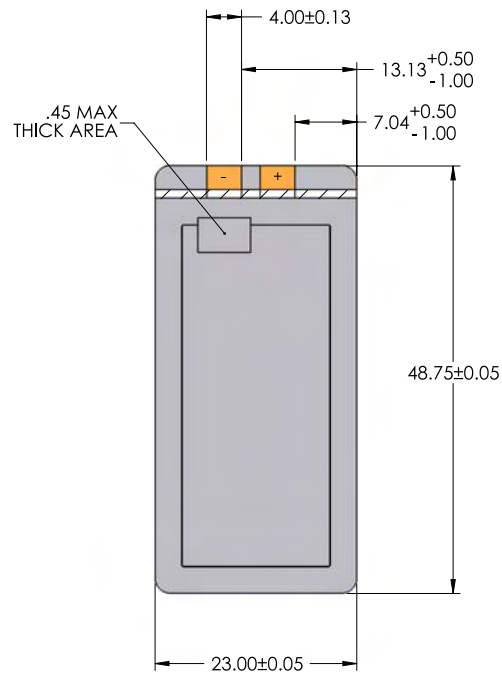


Attachment/Capacity Options Guide		
Attachment	Capacity	Part Number
EC	10mAh	SF-2529-10EC-002
BC	10mAh	SF-2529-10BC-002
EC	14mAh	SF-2529-14EC-002
BC	14mAh	SF-2529-14BC-002

Extended Tab / EC



Supported Tab / BC

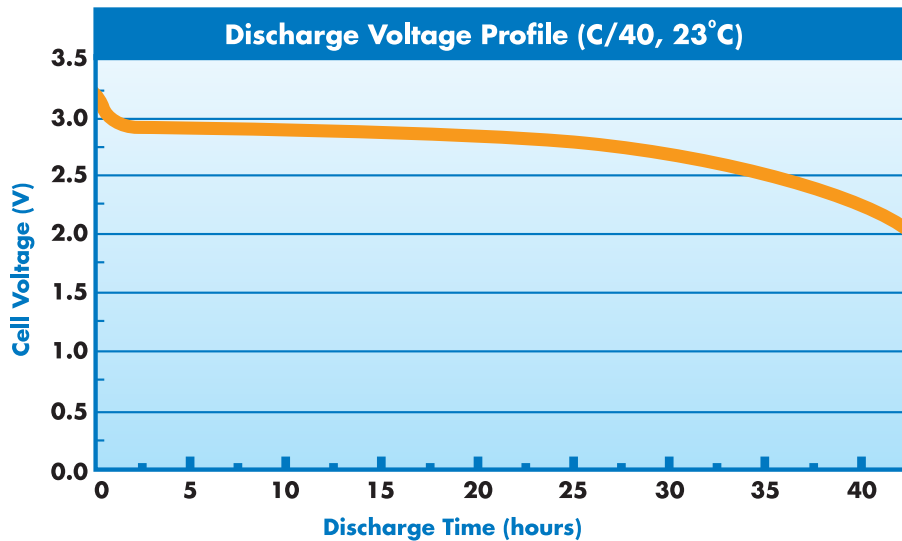


EC = Extended Tabs: Nickel Plated Copper

BC = Battery Terminal Support: Nickel Plated Copper

Technical Specifications and Performance	
System	Lithium Polymer
Cathode	Manganese Dioxide
Anode	Metallic Lithium
Nominal Voltage	3.0 volts
Nominal Capacity* (C/40 @ 23°C)	18 mAh - 25 mAh
Max. Cont. Discharge* (23°C)	C/2
Operating Temperatures*	-10°C to 60°C
Storage Temperatures*	-20°C to 40°C
Weight	0.6 grams
Maximum Thickness	0.45mm
Self-discharge*	<1% per month
Anode Tab/Cathode Tab	Nickel Plated Copper
Jacket	Flexible Aluminum Foil Packaging

*Battery performance varies with temperature



Attachment/Capacity Options Guide		
Attachment	Capacity	Part Number
EC	18mAh	SF-4823-18EC-002
BC	18mAh	SF-4823-18BC-002
EC	25mAh	SF-4823-25EC-002
BC	25mAh	SF-4823-25BC-002



thin



flexible



safe



Powered Cards

- One Time Password
- Secure Access/ID
- Loyalty & Gift
- Financial
- Dynamic Magnetic Stripe
- Audio Authentication
- Contactless
- Biometric



RFID

- Powered Tags
- Powered ePassport
- Physical Access Control
- Time & Temperature Indicators



Medical

- Patient Monitoring & Tracking
- Transdermal Drug Delivery
- Accelerated Healing Devices
- Pharmaceutical Compliance



Rev. 2-8.08